

INSTALLATION CONFIGURATION 2

NOTES: 1. SELECTION AND VOLUME OF SEPTIC TANK SHALL BE MADE IN ACCORDANCE WITH OAR 340-071-220 (3).

2. PIPING SHALL BE SELECTED AND SIZED IN ACCORDANCE WITH OREGON REQUIREMENTS.

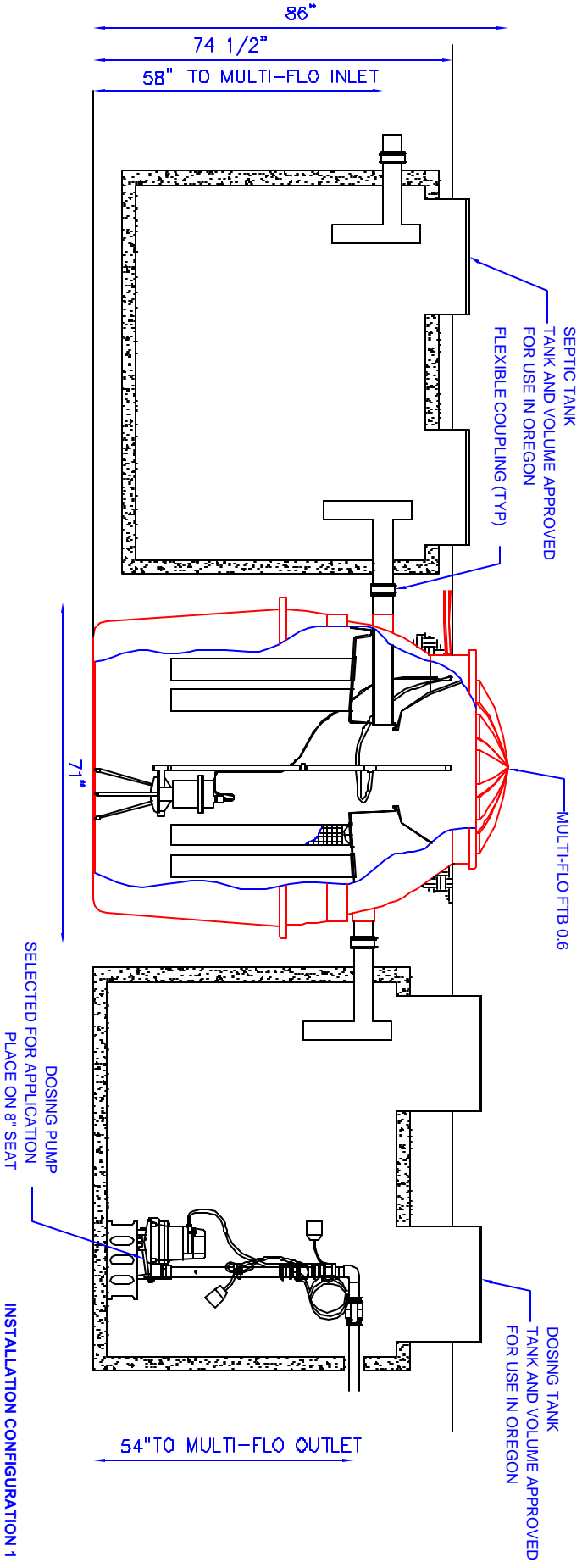
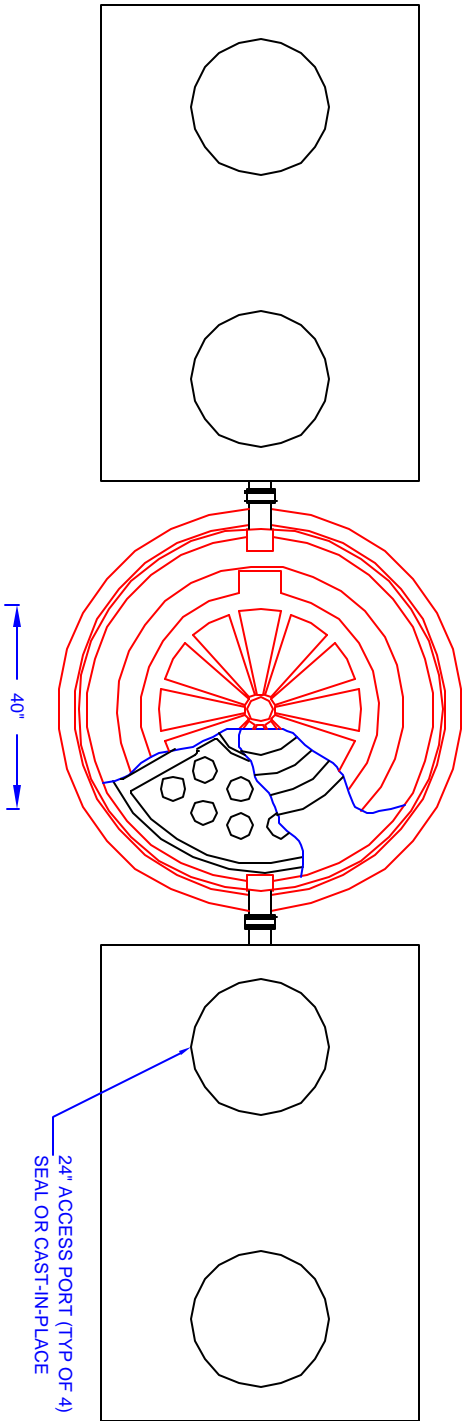
3. PUMPS SHALL BE SELECTED AND SIZED IN ACCORDANCE WITH OREGON REQUIREMENTS.

4. PUMP CONTROL TO INCLUDE "FAIL SAFE" TO PREVENT PUMPING IN EVENT OF AERATOR FAILURE.

**MULTI-FLO FTB 0.6 VERSION 1.0**

Date: 03/23/2006  
 Drawn By: BDB  
 Scale: AS SHOWN

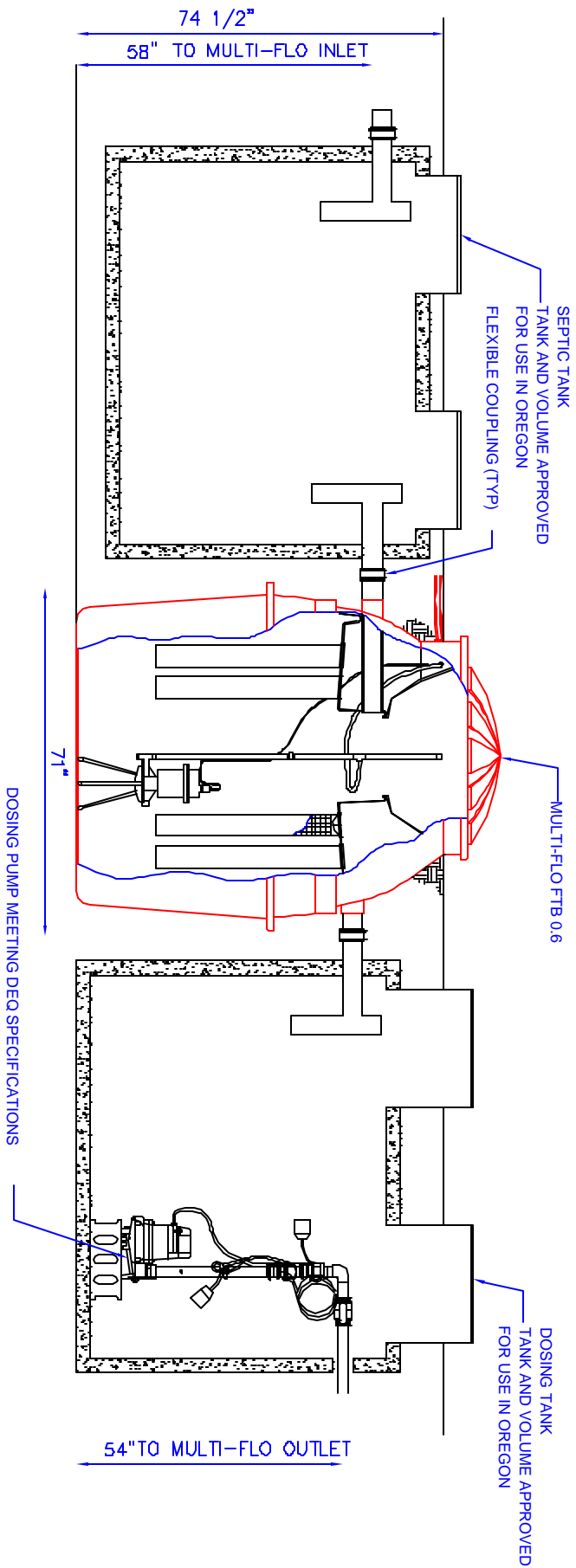
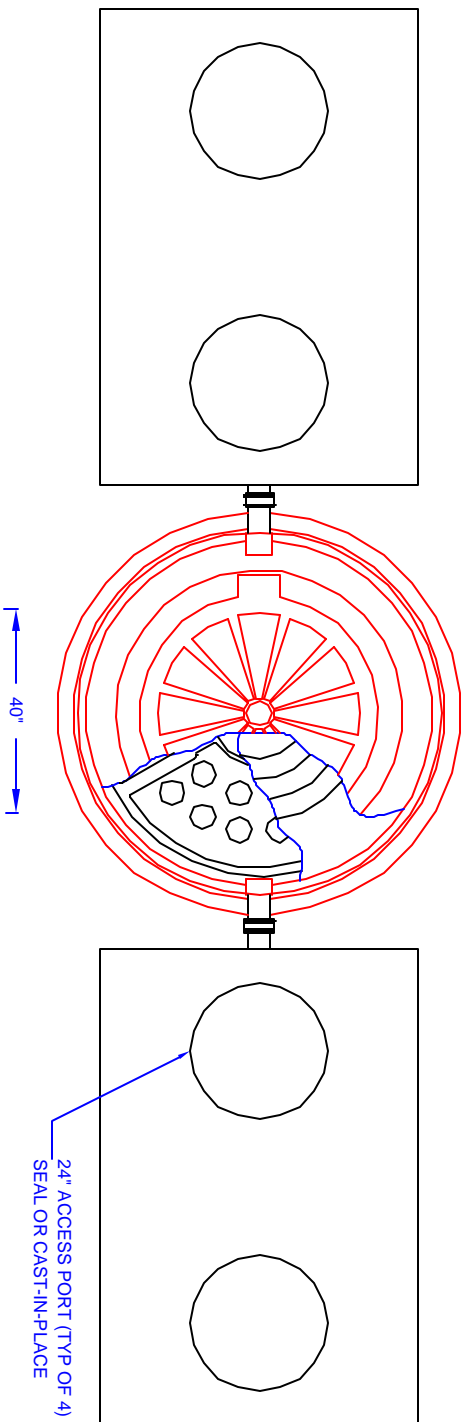
CONSOLIDATED TREATMENT SYSTEMS, INC.  
 1501 COMMERCE CENTER DRIVE  
 FRANKLIN, OH 45005-1891  
 1-937-746-2727  
 www.multiflo.com



- NOTES:**
1. SELECTION AND VOLUME OF SEPTIC TANK SHALL BE MADE IN ACCORDANCE WITH OAR 340-071-220 (3).
  2. PIPING SHALL BE SELECTED AND SIZED IN ACCORDANCE WITH OREGON REQUIREMENTS.
  3. PUMPS SHALL BE SELECTED AND SIZED IN ACCORDANCE WITH OREGON REQUIREMENTS.
  4. PUMP CONTROL TO INCLUDE "FAIL SAFE" TO PREVENT PUMPING IN EVENT OF AERATOR FAILURE.

**MULTI-FLO FTB 0.6 VERSION 1.0**

Date:	03/23/2006	CONSOLIDATED TREATMENT SYSTEMS, INC. 1501 COMMERCE CENTER DRIVE FRANKLIN, OH 45005-1891 1-937-746-2727 www.multiflo.com
Drawn By:	BDB	
Scale:	AS SHOWN	

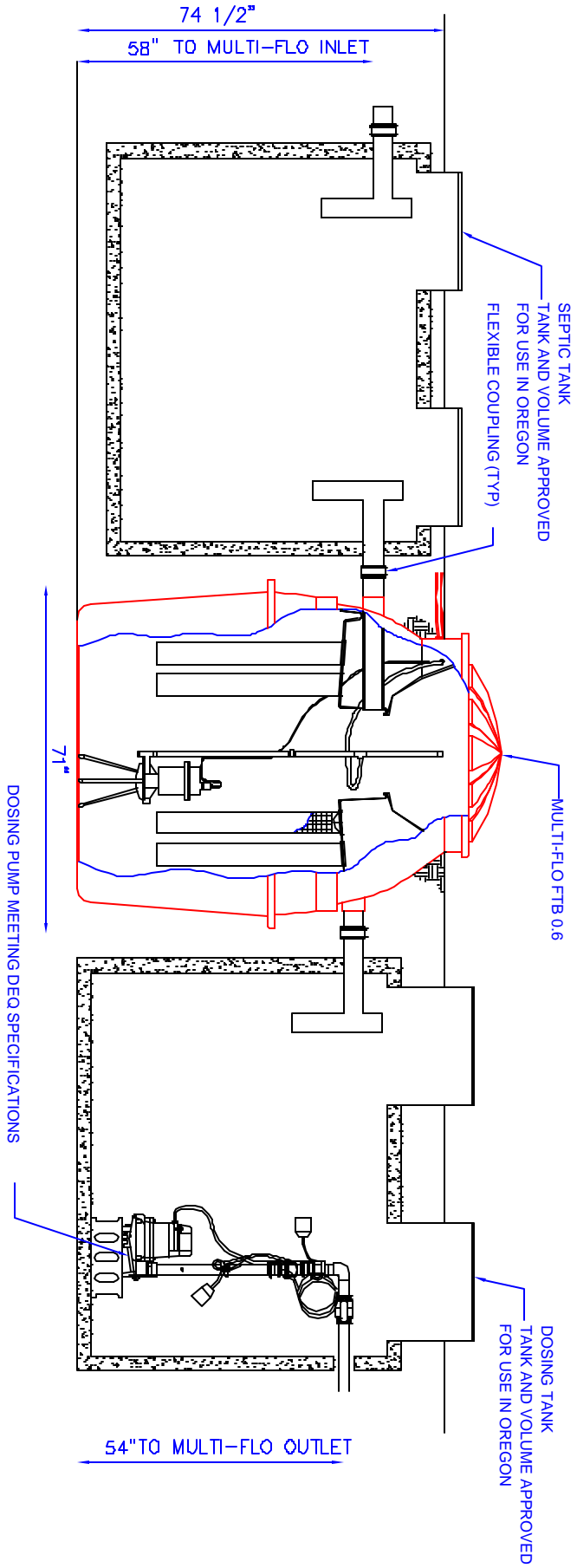
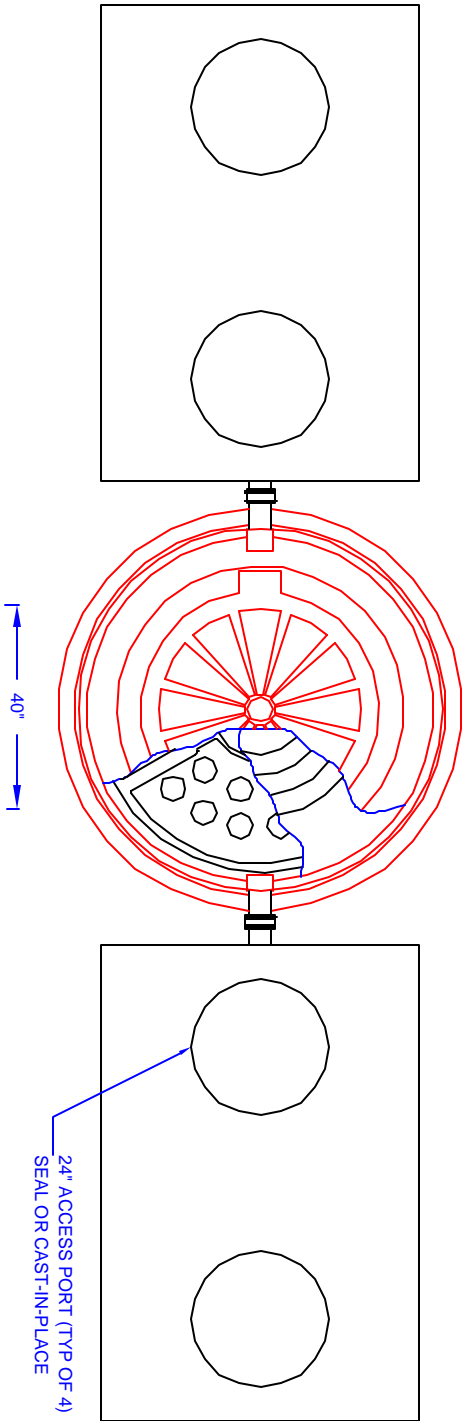


- NOTES: 1. SELECTION AND VOLUME OF SEPTIC TANK SHALL BE MADE IN ACCORDANCE WITH OAR 340-071-220 (3).
2. PIPING SHALL BE SELECTED AND SIZED IN ACCORDANCE WITH OREGON REQUIREMENTS.
3. PUMPS SHALL BE SELECTED AND SIZED IN ACCORDANCE WITH OREGON REQUIREMENTS.
4. PUMP CONTROL TO INCLUDE "FAIL SAFE" TO PREVENT PUMPING IN EVENT OF AERATOR FAILURE.

## MULTI-FLO FTB 0.6 VERSION 1.0

Date: 03/23/2006  
 Drawn By: BDB  
 Scale: AS SHOWN

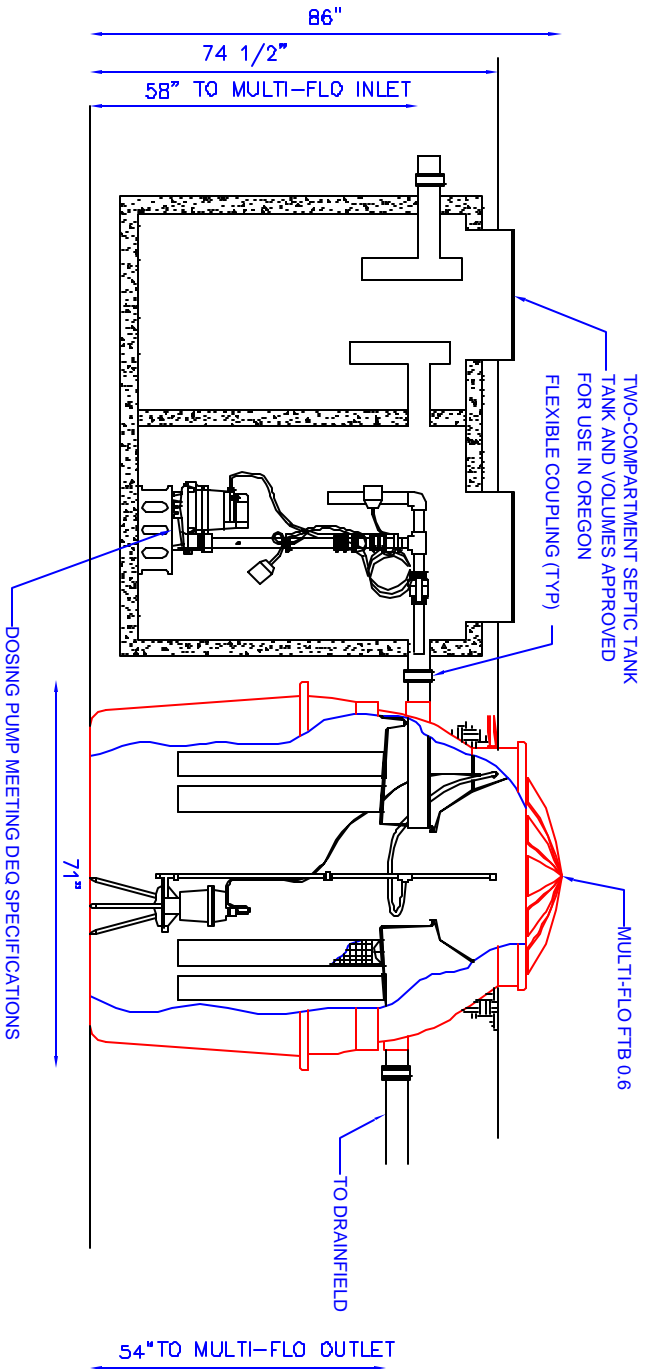
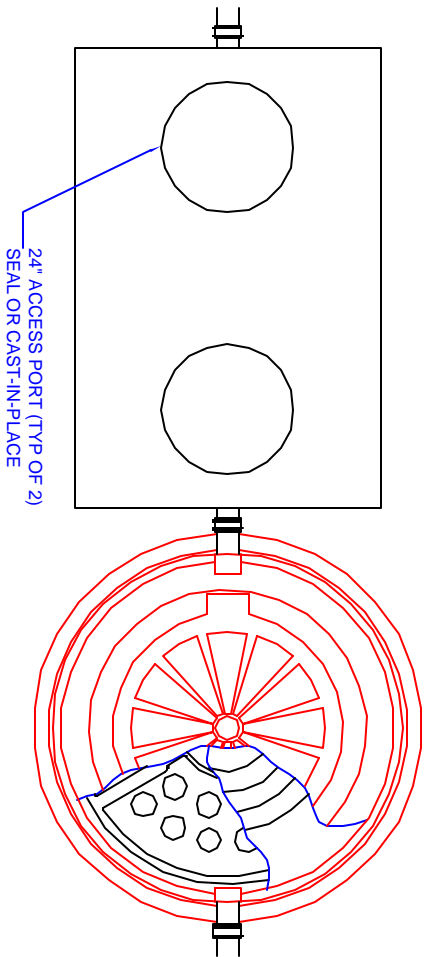
CONSOLIDATED TREATMENT SYSTEMS, INC.  
 1501 COMMERCE CENTER DRIVE  
 FRANKLIN, OH 45005-1891  
 1-937-746-2727  
 www.multiflo.com



- NOTES: 1. SELECTION AND VOLUME OF SEPTIC TANK SHALL BE MADE IN ACCORDANCE WITH OAR 340-071-220 (3).
2. PIPING SHALL BE SELECTED AND SIZED IN ACCORDANCE WITH OREGON REQUIREMENTS.
3. PUMPS SHALL BE SELECTED AND SIZED IN ACCORDANCE WITH OREGON REQUIREMENTS.
4. PUMP CONTROL TO INCLUDE "FAIL SAFE" TO PREVENT PUMPING IN EVENT OF AERATOR FAILURE.

**MULTI-FLO FTB 0.6 VERSION 1.0**

Date: 03/23/2006	CONSOLIDATED TREATMENT SYSTEMS, INC. 1501 COMMERCE CENTER DRIVE FRANKLIN, OH 45005-1891 www.multiflo.com
Drawn By: BDB	
Scale: AS SHOWN	



INSTALLATION CONFIGURATION 2

NOTES: 1. SELECTION AND VOLUME OF SEPTIC TANK SHALL BE MADE IN ACCORDANCE WITH OAR 340-071-220 (3).

2. PIPING SHALL BE SELECTED AND SIZED IN ACCORDANCE WITH OREGON REQUIREMENTS.

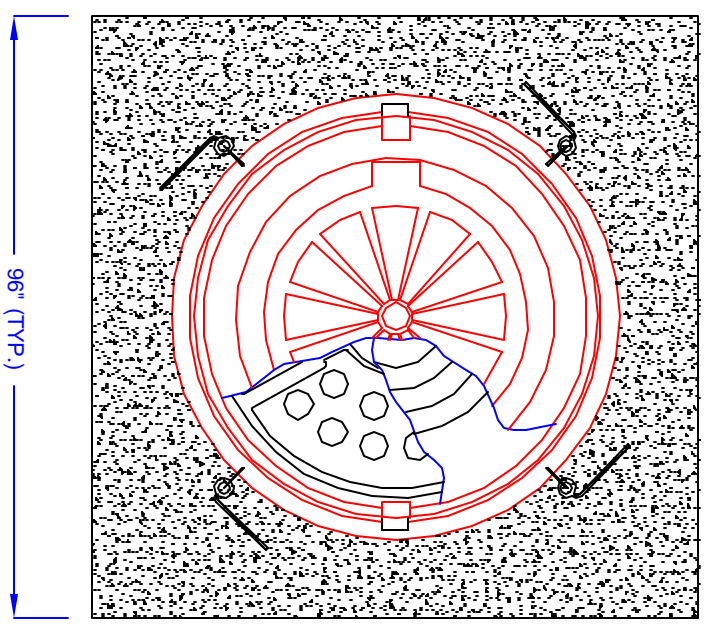
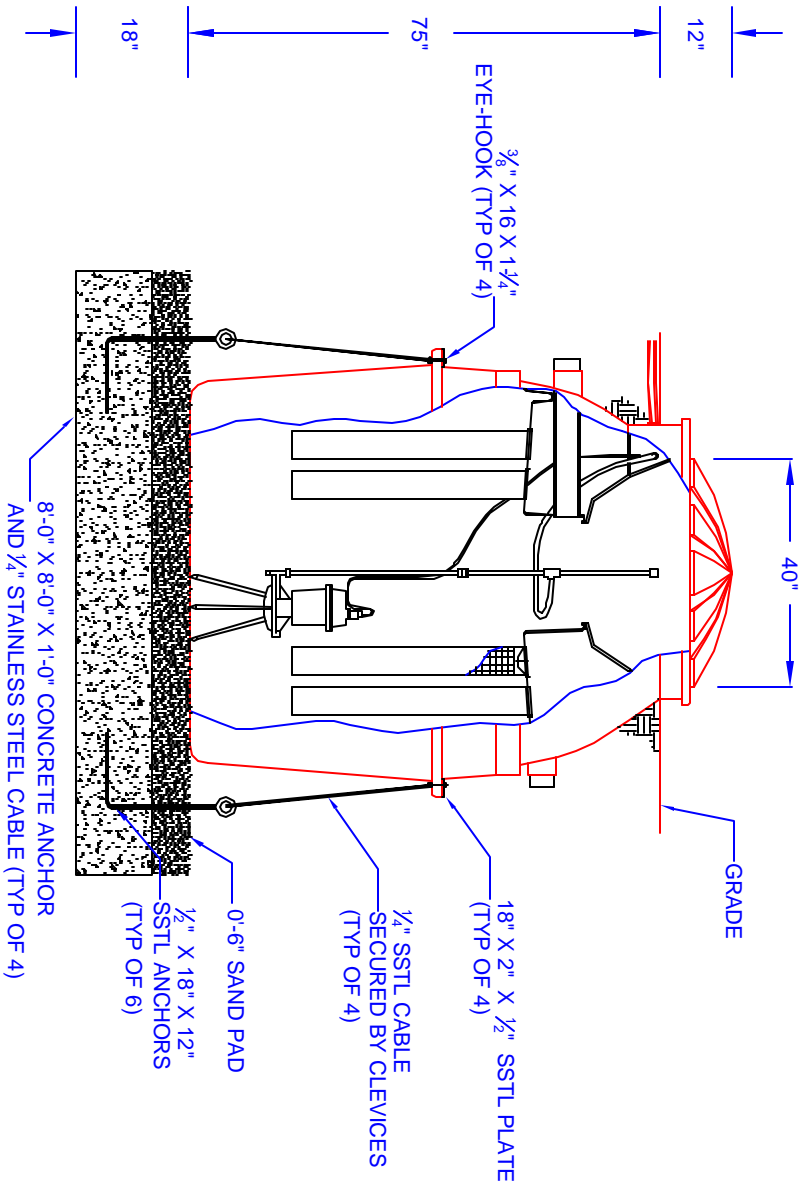
3. PUMPS SHALL BE SELECTED AND SIZED IN ACCORDANCE WITH OREGON REQUIREMENTS.

4. PUMP CONTROL TO INCLUDE "FAIL SAFE" TO PREVENT PUMPING IN EVENT OF AERATOR FAILURE.

**MULTI-FLO FTB 0.6 VERSION 1.0**

Date: 03/23/2006  
 Drawn By: BDB  
 Scale: AS SHOWN

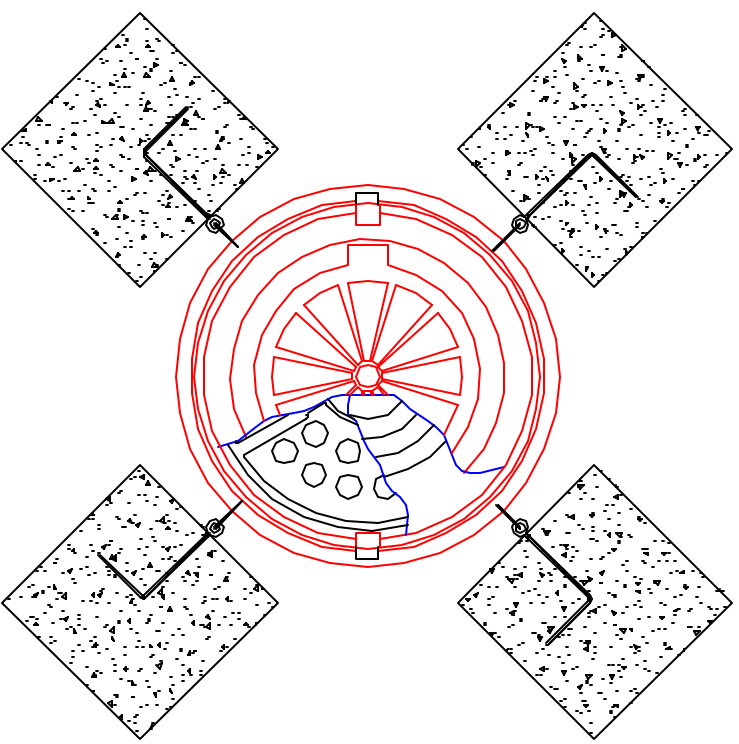
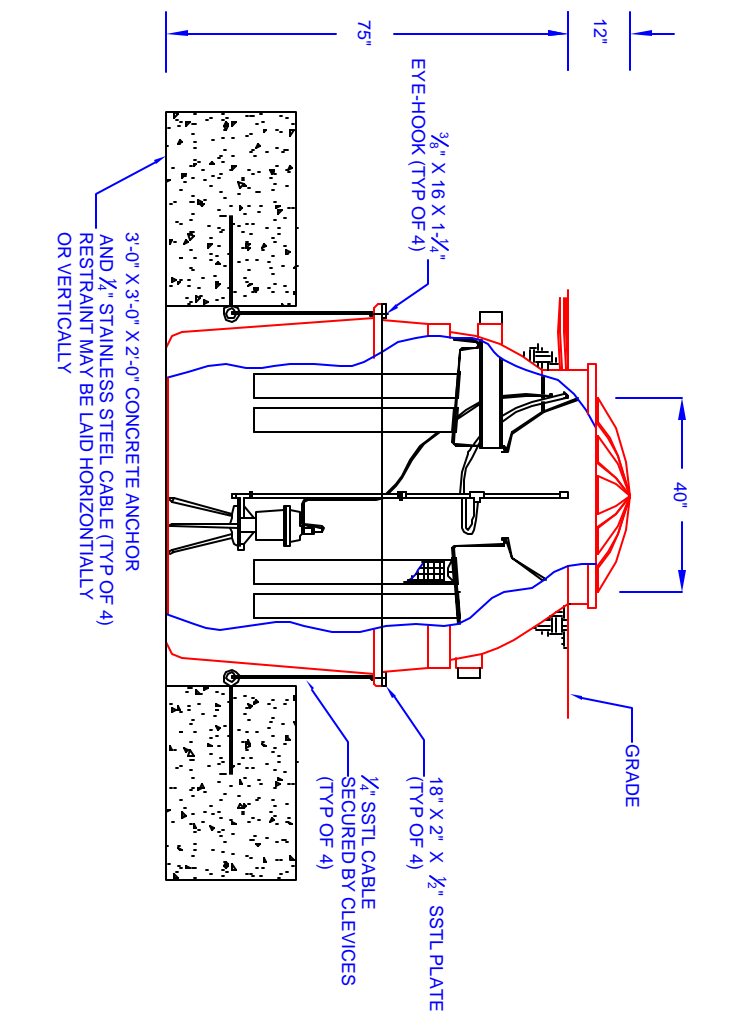
CONSOLIDATED TREATMENT SYSTEMS, INC.  
 1501 COMMERCE CENTER DRIVE  
 FRANKLIN, OH 45005-1891  
 1-937-746-2727  
 www.multi-flo.com



**UPLIFT ALTERNATIVE 1**

- NOTES:**
1. AUGER ANCHORS MAY REPLACE CONCRETE ANCHORS IF AUGERS PROVIDE THE SAME LEVEL OF RESTRAINT AS ANCHOR WEIGHT FOR SOIL CONDITIONS.
  2. ALTERNATIVE ANCHOR CONFIGURATIONS ARE ACCEPTABLE IF THEY PROVIDE SAME LEVEL OF RESTRAINT.
  3. UPLIFT RESTRAINT REQUIRED WHEN ESTIMATED HIGH GROUNDWATER EXCEEDS HEIGHT OF MIDSEAM.
  4. TANKS SHOULD NOT BE EMPTIED DURING PERIODS OF HIGH GROUNDWATER.

<p><b>MULTI-FLO FTB 0.6 VERSION 1.0</b></p>		Date:	10/28/2005
		Drawn By:	BDB
<p>CONSOLIDATED TREATMENT SYSTEMS, INC.</p> <p>1501 COMMERCE CENTER DRIVE</p> <p>FRANKLIN, OH 45005-1891</p> <p>1-937-746-2727</p> <p>www.multi-flo.com</p>		Scale:	N.T.S.



UPLIFT ALTERNATIVE 2

- NOTES: 1. AUGER ANCHORS MAY REPLACE CONCRETE ANCHORS IF AUGERS PROVIDE THE SAME LEVEL OF RESTRAINT AS ANCHOR WEIGHT FOR SOIL CONDITIONS.
2. ALTERNATIVE ANCHOR CONFIGURATIONS ARE ACCEPTABLE IF THEY PROVIDE SAME LEVEL OF RESTRAINT.
3. UPLIFT RESTRAINT REQUIRED WHEN ESTIMATED HIGH GROUNDWATER EXCEEDS HEIGHT OF MIDSEAM.
4. TANKS SHOULD NOT BE EMPTIED DURING PERIODS OF HIGH GROUNDWATER.

**MULTI-FLO FTB 0.6 VERSION 1.0**

Date: 10/27/2005  
 Drawn By: BDB  
 Scale: N.T.S.

CONSOLIDATED TREATMENT SYSTEMS, INC.  
 1501 COMMERCE CENTER DRIVE  
 FRANKLIN, OH 45005-1891  
 1-937-746-2727  
 www.multi-flo.com