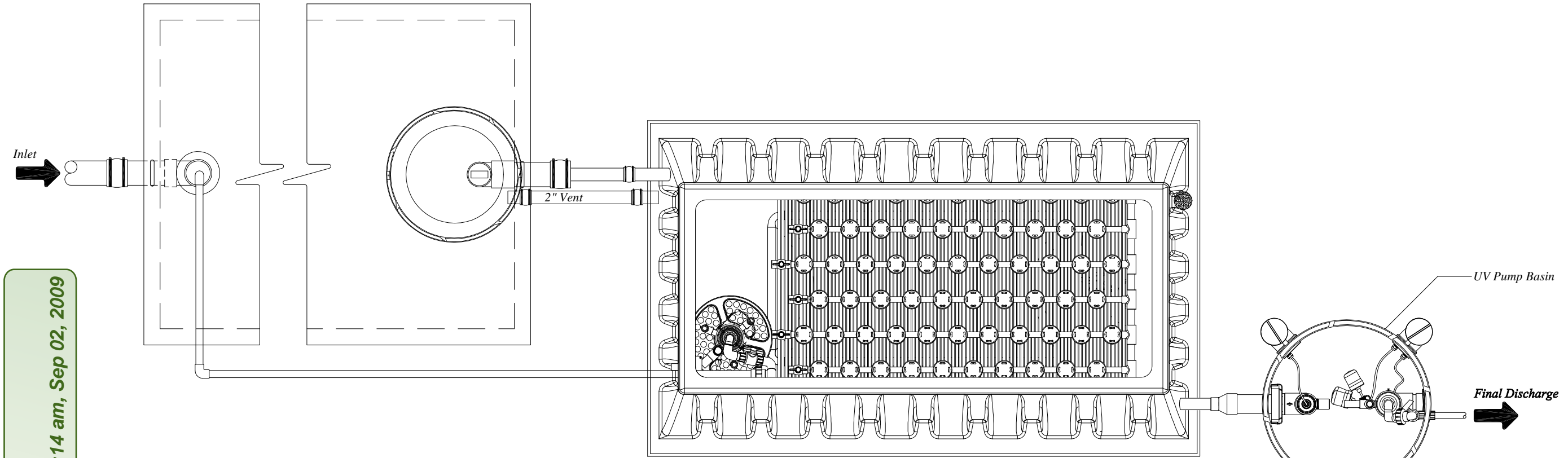
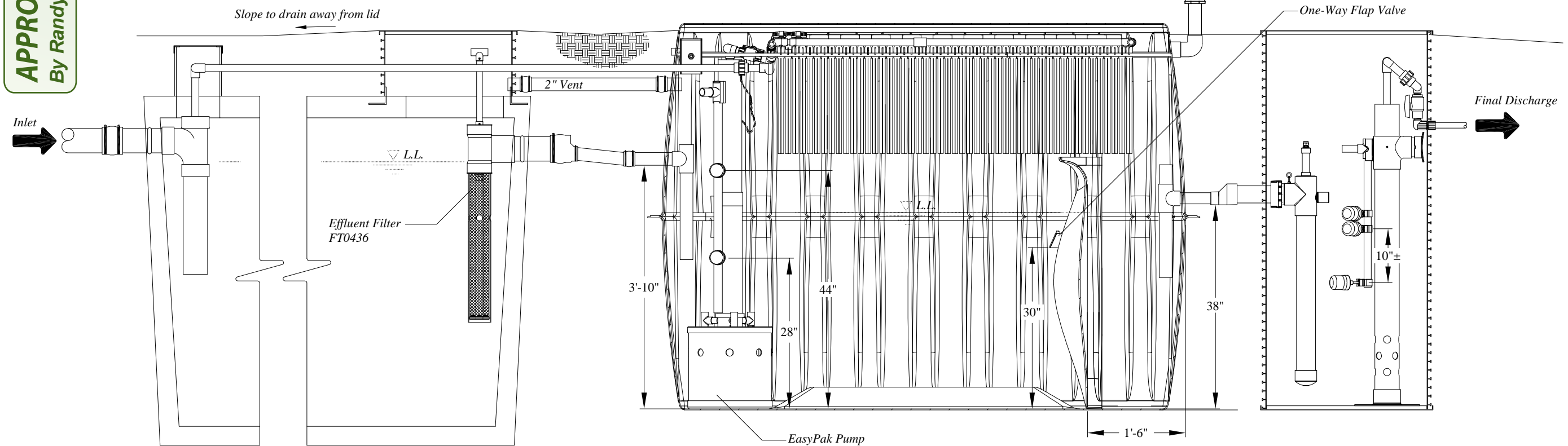


# Treatment Standard 2 - Pump Discharge, 2-Comp. Recirculating Tank with UV Unit in Discharge Pump in External Basin



1000 gal. Primary Tank - Top View

AX20 800 gal. Recirculating Tank - Top View



1000 gal. Primary Tank - Side View

AX20 800 gal. Recirculating Tank - Side View

**APPROVED**  
 By Randy Trox at 9:14 am, Sep 02, 2009



Oreco Systems<sup>®</sup>  
Incorporated

Title: **AX20RT 2PB/UV Treatment Standard 2**

Drawing No.

Scale: **1" = 20"**

Date: **7/17/09**

Drawn By: **CHRIS JORDAN**

Drawing: **5 OF 7**

Revision: **A-01**

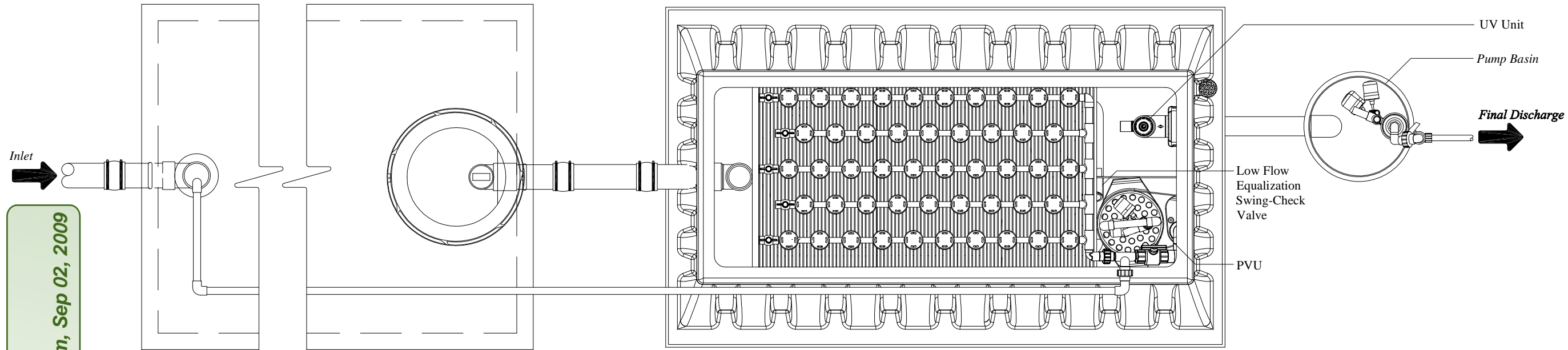
Designed By: **ENGINEERING**

Approved By:

Date Approved:

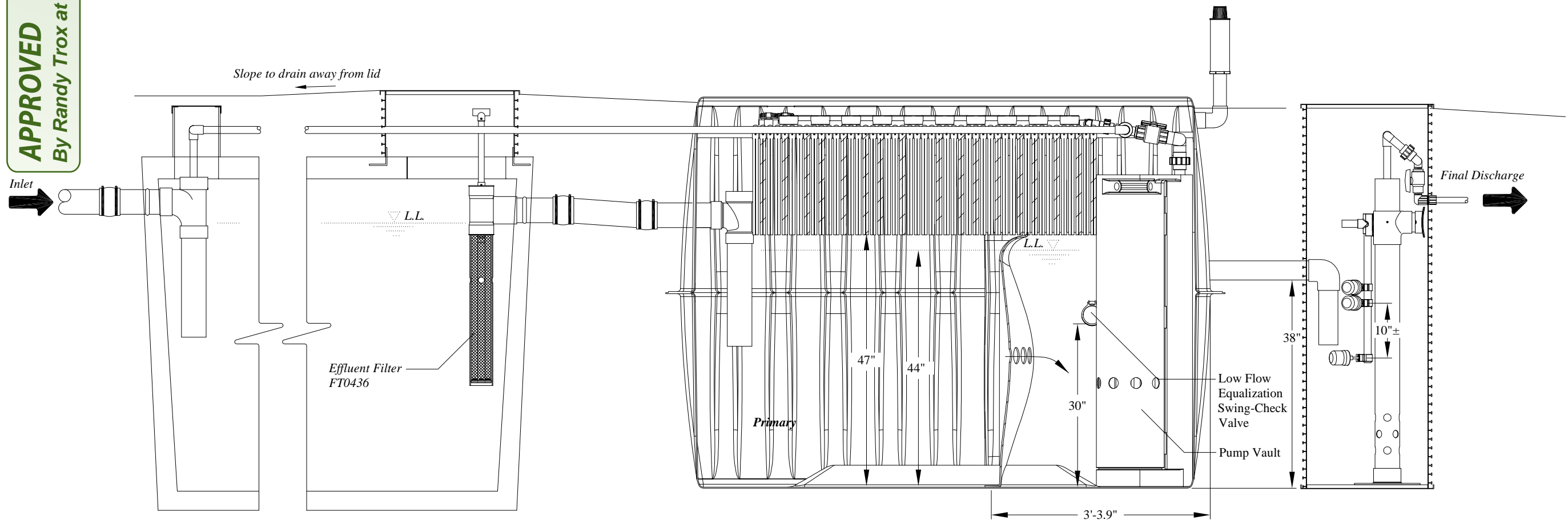
U.S. Patents 4,439,323  
 5,492,635-6,372,137-5,360,556  
 5,980,748-5,531,894- 5,480,561  
 Other Patents Pending  
 © 2005 Oreco Systems®, Inc

# Treatment Standard 2 - Pump Discharge, 3-Comp. Recirculating Tank with UV Unit in 3rd Compartment and Discharge Pump in External Basin



1000 gal. Primary Tank - Top View

AX20 800 gal. Recirc. Tank - Top View



1000 gal. Primary Tank - Side View

AX20 800 gal. Recirc. Tank - Side View

**APPROVED**  
By Randy Trox at 9:14 am, Sep 02, 2009



Orengo Systems  
Incorporated

Title: **AX20RT 3UV/PB Treatment Standard 2**

Drawing No.

Scale: 1" = 20"

Date: 7/17/09

Drawn By: **CHRIS JORDAN**

Drawing: 7 OF 7

Revision: A-01

Designed By: **ENGINEERING**

Approved By:

Date Approved:

U.S. Patents-4,439,323  
5,492,635-6,372,137-5,360,556  
5,980,748-5,531,894- 5,480,561  
Other Patents Pending  
© 2005 Orengo Systems®, Inc

**APPROVED**

By Dan Wiltse at 5:03 pm, Jul 30, 2010

Treatment Standard 2 - Pump Discharge, 2-Comp. Recirculating Tank with UV Unit in External Discharge Pump Basin



Orenco Systems®  
Incorporated

Title: AX20RT - 2PB/UV Treatment Standard 2

Drawing No. NDW-ATX-RT-OR-3

Date: 5/19/2010

Scale: 1" = 24"

Drawn By: BEN SMITH

Drawing: 3 OF 4

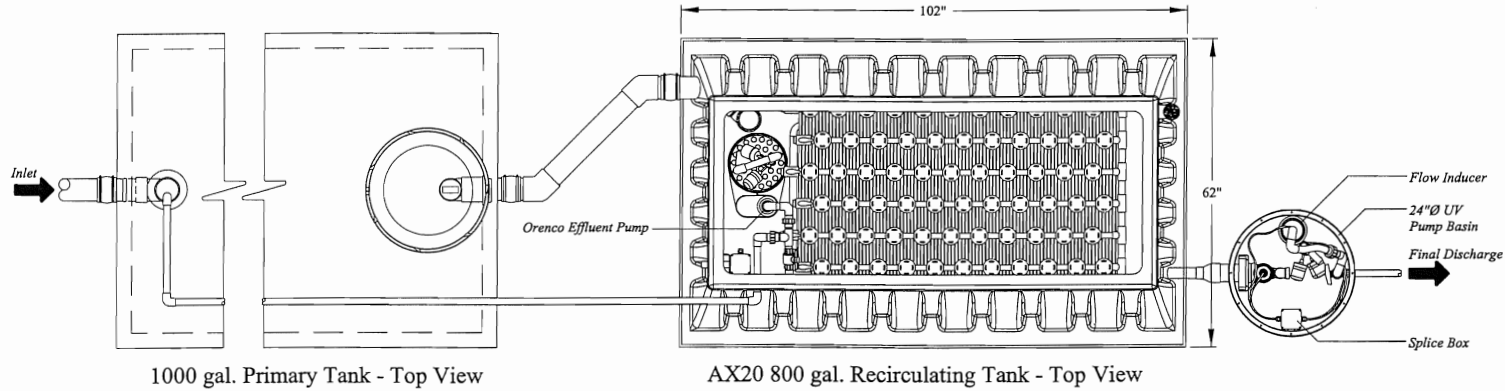
Revision: A-01

Designed By: ENGINEERING

Approved By:

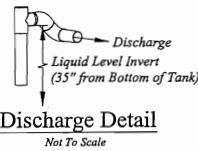
Date Approved:

U.S. Patents-4,439,323  
5,492,635-6,372,137-5,360,556  
5,990,748-5,531,894-5,480,561  
Other Patents Pending  
© 2005 Orenco Systems®, Inc

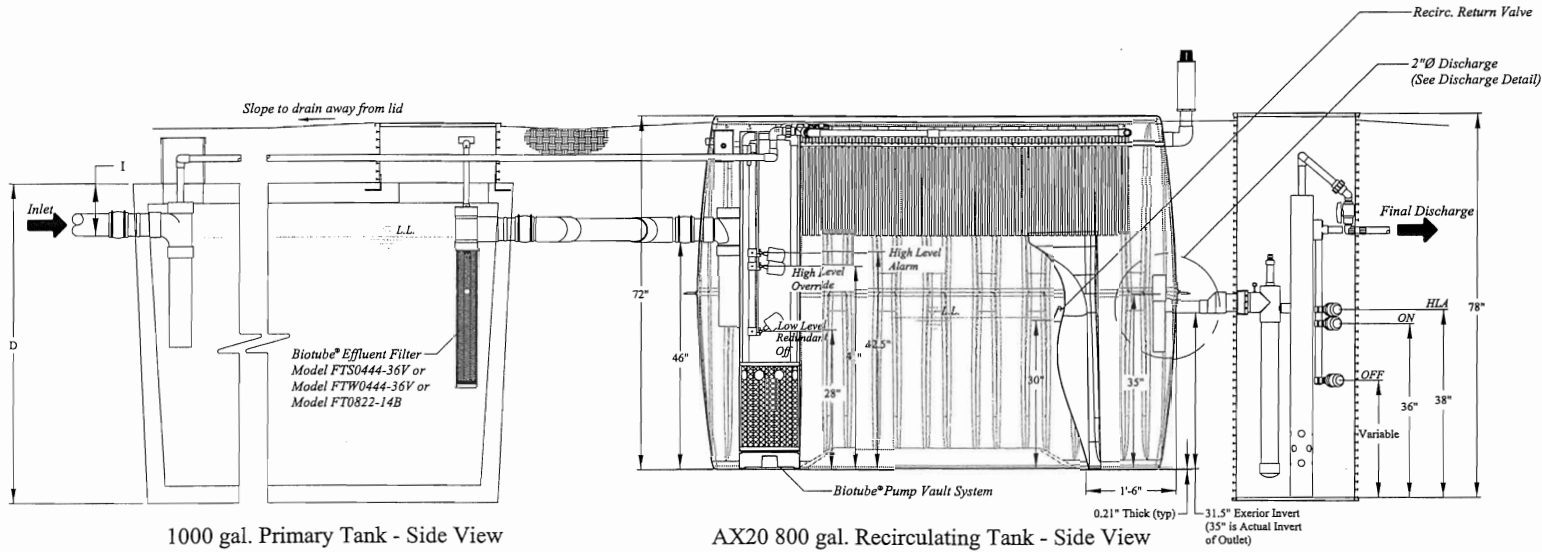


1000 gal. Primary Tank - Top View

AX20 800 gal. Recirculating Tank - Top View



Discharge Detail  
Not To Scale

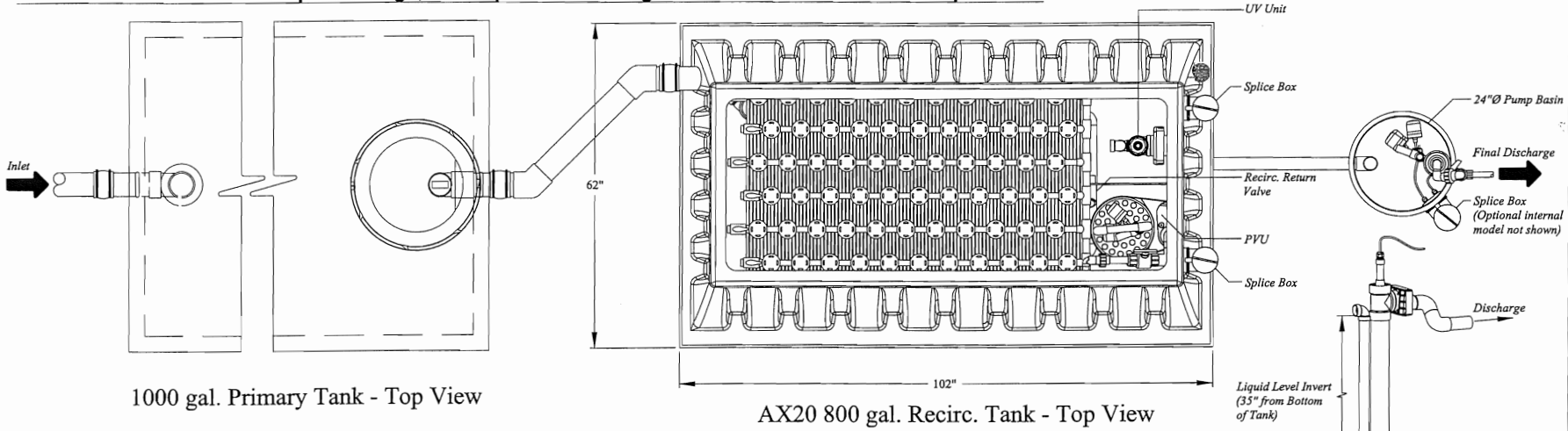


1000 gal. Primary Tank - Side View

AX20 800 gal. Recirculating Tank - Side View

**APPROVED**  
 By Dan Wiltse at 5:03 pm, Jul 30, 2010

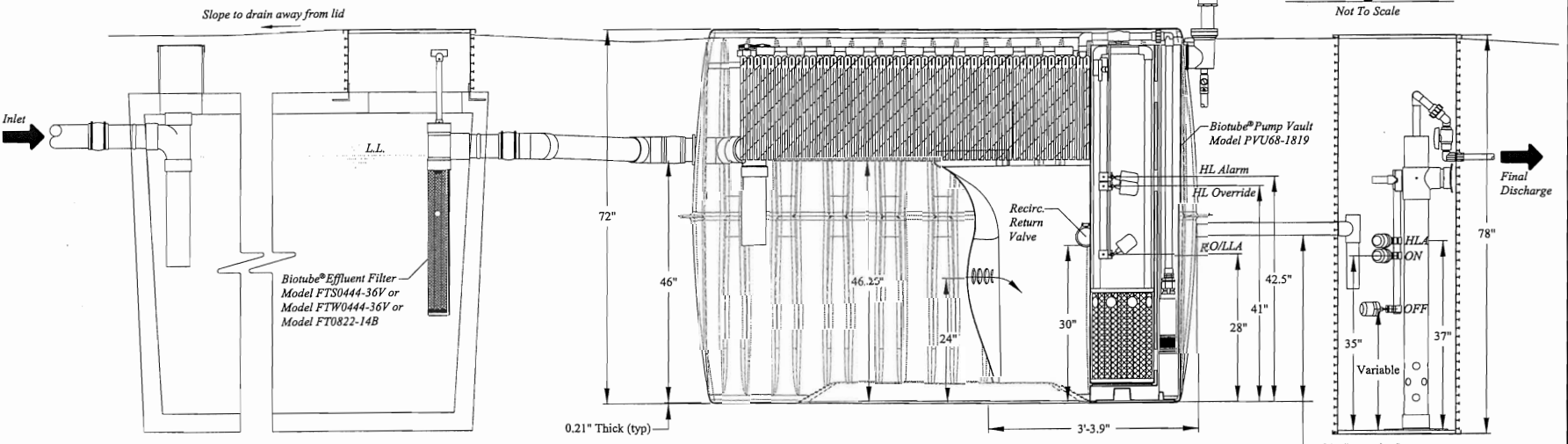
Treatment Standard 2 - Pump Discharge, 3-Comp. Recirculating Tank with UV Unit in 3rd Compartment



1000 gal. Primary Tank - Top View

AX20 800 gal. Recirc. Tank - Top View

Discharge Detail  
 Not To Scale

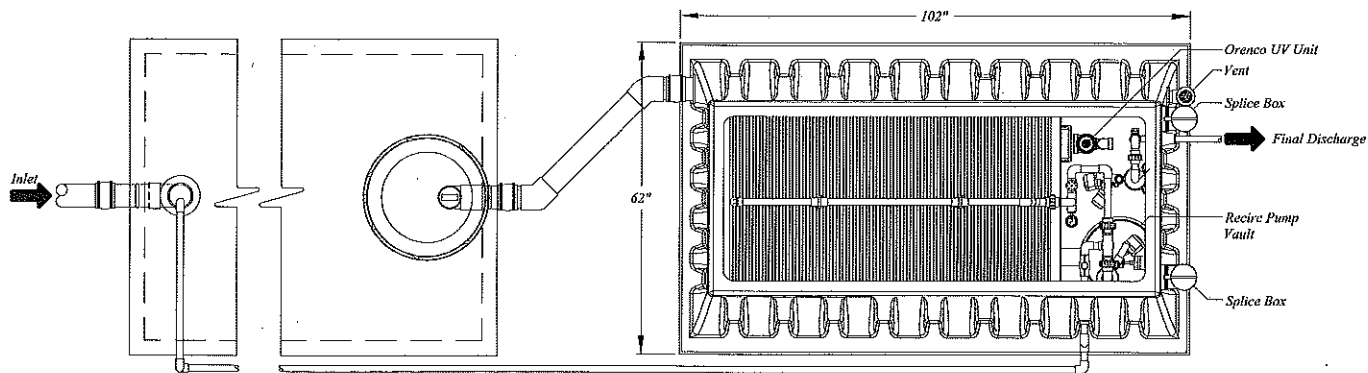


1000 gal. Primary Tank - Side View

AX20 800 gal. Recirc. Tank - Side View

		Title: AX20RT 3UV/PB Treatment Standard 2	
		Drawing No. NDW-ATX-RT3-OR-04	Date: 5/19/2010
Drawn By: BEN SMITH	Drawing: 4 OF 4	Scale: 1" = 20"	
Designed By: ENGINEERING	Approved By:	Revision: A-01	Date Approved:
U.S. Patents 4,439,323 5,492,635-6,372,137-5,360,556 5,980,746-5,531,894- 5,480,561 Other Patents Pending © 2005 Orencia Systems®, Inc			

# AX20RTN Pump Discharge with UV Unit - Treatment Standard 2



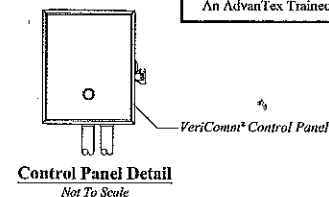
1000 gal. Primary Tank - Top View

AX20 800 gal. Recirc. Tank - Top View

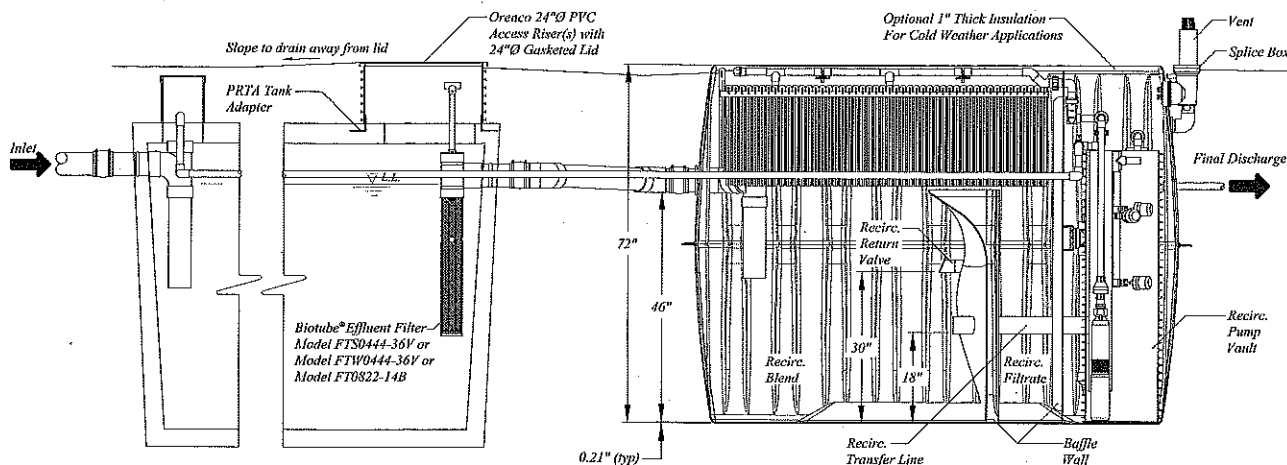
Filter Tank Dry Weight: 900 lbs

### Design and Installation Notes

- For Expected Flows 4 Bedrooms or less
- Installation To Be Performed By An AdvanTex Trained Installer Only
- Start-up And Service To Be Performed By An AdvanTex Trained Service Provider

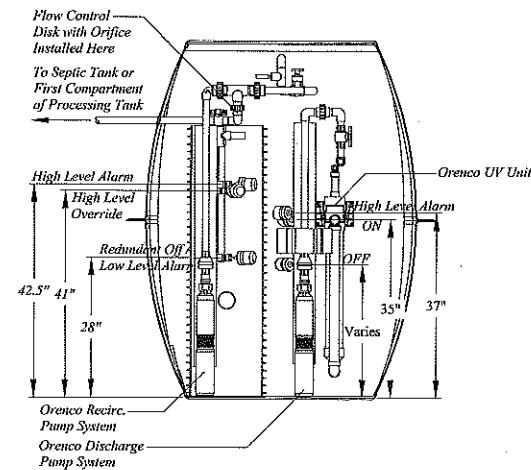


**APPROVED**  
By Dan Wiltse at 10:27 am, Aug 17, 2011



1000 gal. Primary Tank - Side View

AX20 800 gal. Recirc. Tank - Side View



Discharge Chamber - End View

Copyright © 2011  
Orenco Systems®, Inc.

#### UNAUTHORIZED CHANGES & USES

Orenco has prepared these drawings for use by the design engineer. Orenco will not be responsible or liable for unauthorized changes to or uses of these drawings. All changes to these drawings must be made in writing and must be approved by the design engineer.

PRODUCT CONFIGURATION DRAWINGS



**Orenco Systems® Incorporated**  
Changing the Way the World Does Wastewater®

Drawn By: BEN SMITH

Drawn For:

Project:  
AX20RTN - UV Treatment Standard 2

Title: NDW-ATX-RT-OR-3

Scale: 1" = 2'-0"

Sheet: 1 OF 1

Rev: A-03

Date: 8/16/2011

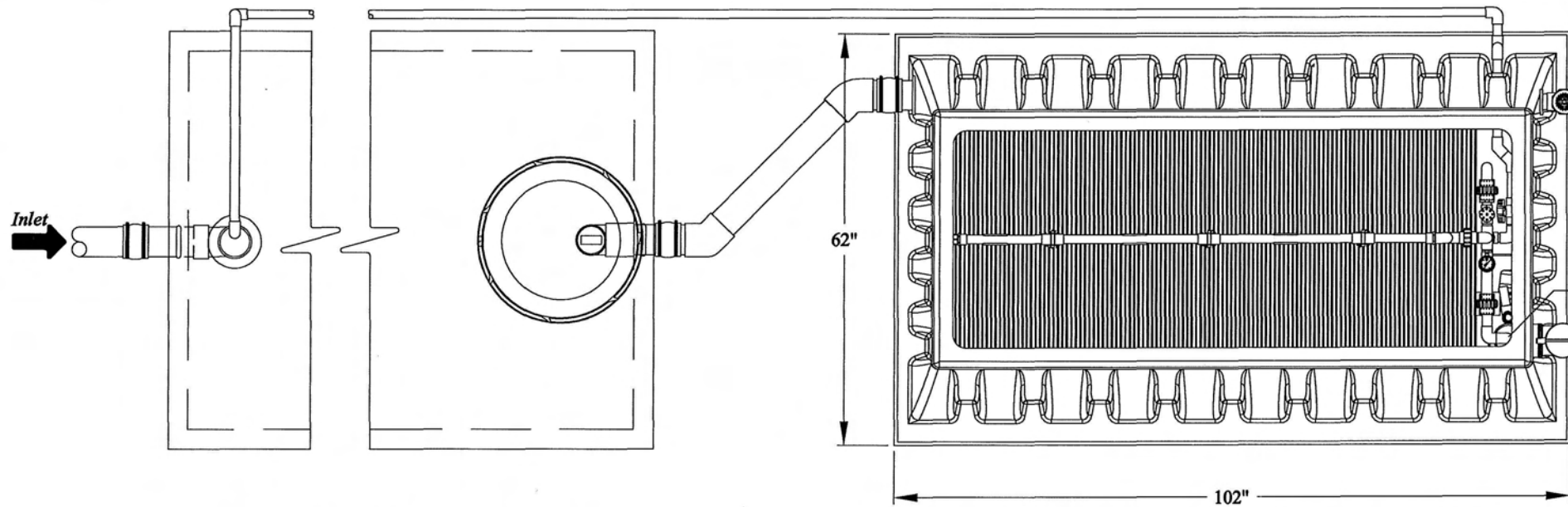
# AX25RTN Pump Discharge with UV Unit - Treatment Standard 2

**APPROVED**  
By Oregon DEQ on January 20, 2012

Filter Tank Dry Weight: 950 lbs

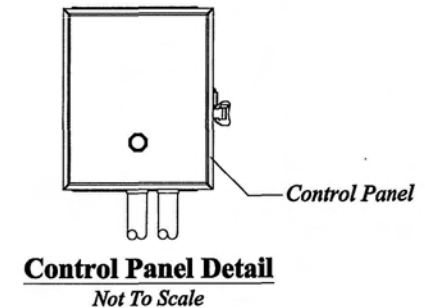
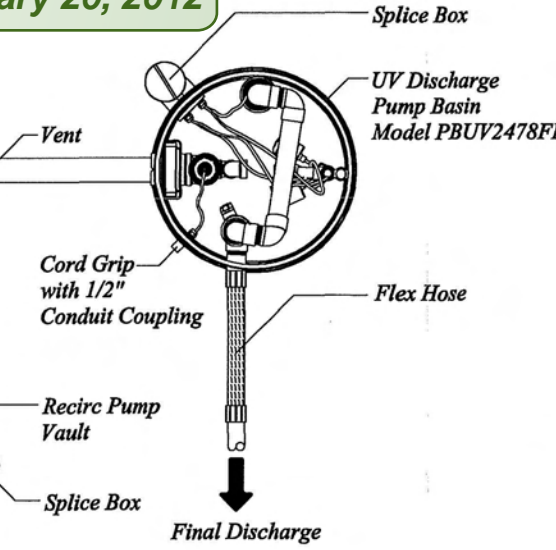
## Design and Installation Notes

- For Expected Flows 6 Bedrooms or less
- Installation To Be Performed By An AdvanTex Trained Installer Only
- Start-up And Service To Be Performed By An AdvanTex Trained Service Provider

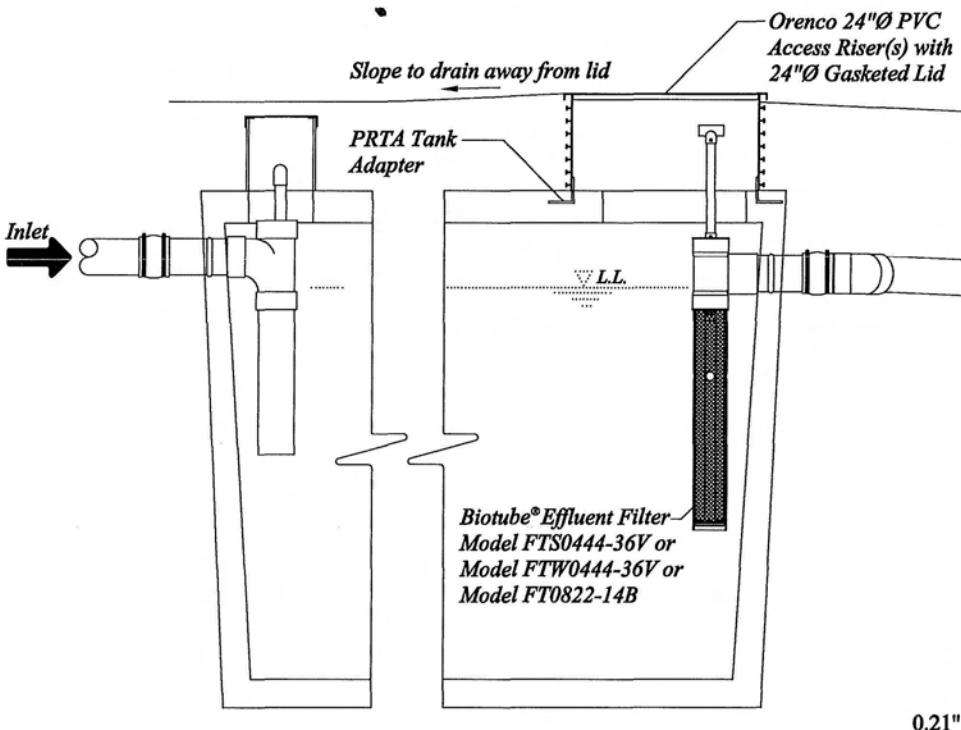
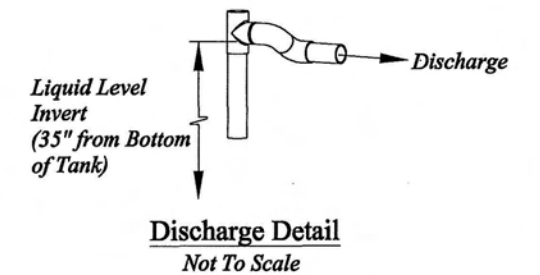


\* Primary Tank - Top View

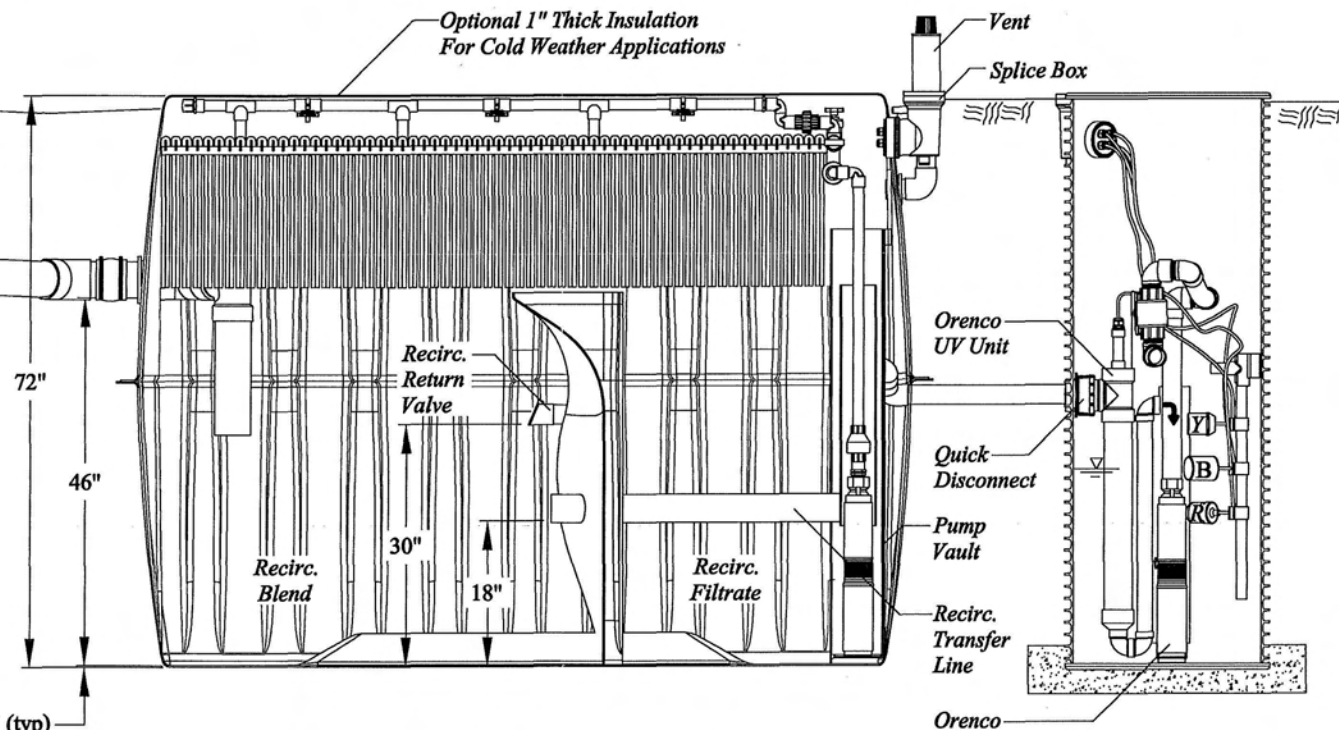
AX25 800 gal. Recirc. Tank - Top View



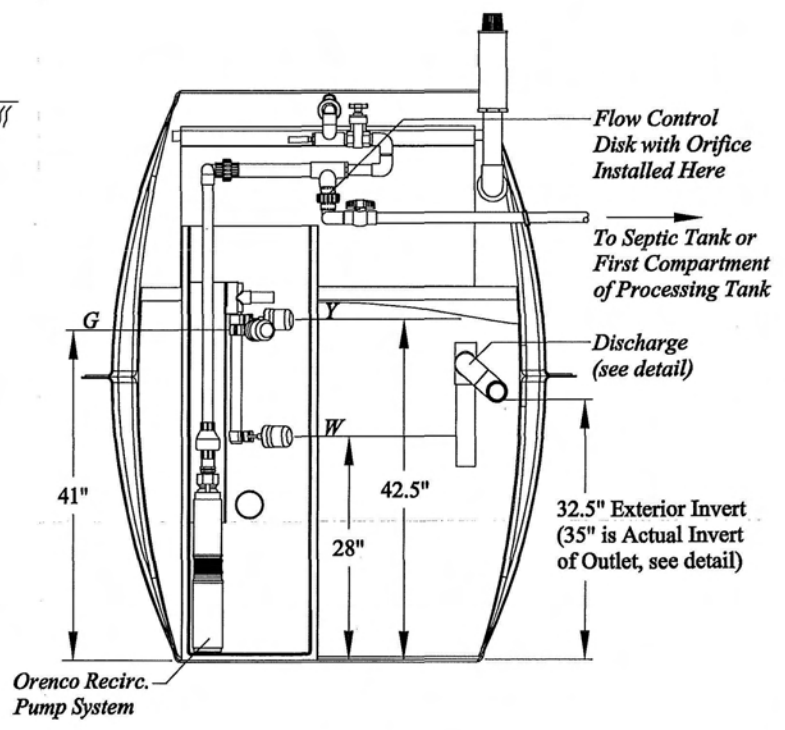
Float Functions	
Y	High Level Alarm
B	Pump On
G	Override Timer ON/OFF
R	Pump Off
W	LLA/RO



\* Primary Tank - Side View



AX25 800 gal. Recirc. Tank - Side View



Discharge Chamber - End View

\* 1,000 Gallons minimum capacity for 4 bedrooms  
1,500 Gallons minimum capacity for 5 and 6 bedrooms.

Copyright © 2011  
Orenco Systems®, Inc.

**UNAUTHORIZED CHANGES & USES**  
Orenco has prepared these drawings for use by the design engineer. Orenco will not be responsible or liable for unauthorized changes to or uses of these drawings. All changes to these drawings must be made in writing and must be approved by the design engineer.

PRODUCT CONFIGURATION DRAWINGS



Drawn By: BEN SMITH  
Drawn For:

Project:  
AX25RTN - UV Treatment Standard 2

Scale: 1" = 2'-0"  
Sheet: 1 OF 1

Title: NDW-ATX-RT-OR-07

Rev: A-02 Date: 12/23/2011