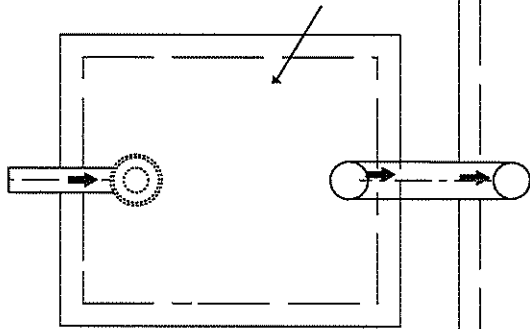
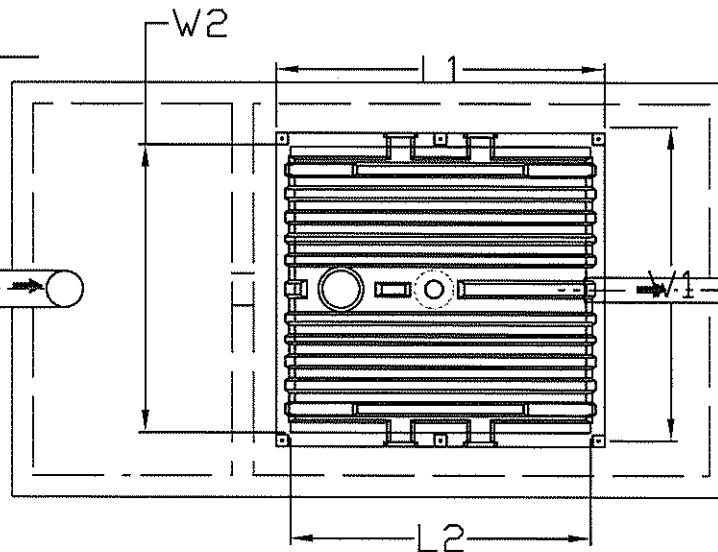
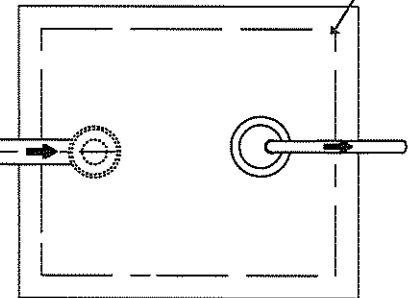


ELEVATION

SEPTIC TANK
VOLUME APPROVED FOR
USE IN OREGON



DOSING TANK
VOLUME APPROVED FOR USE IN
OREGON TO DRAINFIELD



PLAN VIEW

NOTES

1. SECURE ORIGINAL 7" X 7" FOOT TO LEG EXTENSION BY PLACING TWO (2) SCREWS IN EACH SIDE OF THE LEG EXTENSION. EIGHT (8) SCREWS PER FOOT ARE INCLUDED AND SHOULD BE USED ON EACH OF THE FOUR (4) CORNER LEG EXTENSIONS.
2. ANCHOR THE LEG EXTENSIONS (4 CORNER LEGS ONLY) TO THE BASE OF THE TANK. PLACE BOLTS AT OPPOSITE CORNERS OF THE LEG EXTENSION BASE.
3. TO ELONGATE FOOT PAST THE PROVIDED 12", CUT THE 3.9" LEG EXTENSION IN THE CENTER INTO TWO SEPARATE PIECES. THEN CUT A SCH 40 PVC PIPE TO THE DESIRED LENGTH AND SLIP THE PIPE OVER THE TOP AND BOTTOM CUT SECTIONS OF THE LEG EXTENSIONS.
4. ATTACH PIPES WITH STAINLESS STEEL SCREWS.
5. THE AIR SUPPLY LINE INTO THE FAST® UNIT MUST BE SECURED SO AS TO PREVENT DAMAGE FROM PIPE VIBRATION.
6. SEE TABLE ON PAGE 5.,75,9,15 FAST UNITS DIM CHART OREGON

IN THE INTEREST OF TECHNOLOGICAL PROGRESS, ALL PRODUCTS ARE SUBJECT TO DESIGN AND/OR MATERIAL CHANGE WITHOUT NOTICE.

Date 04-23-08

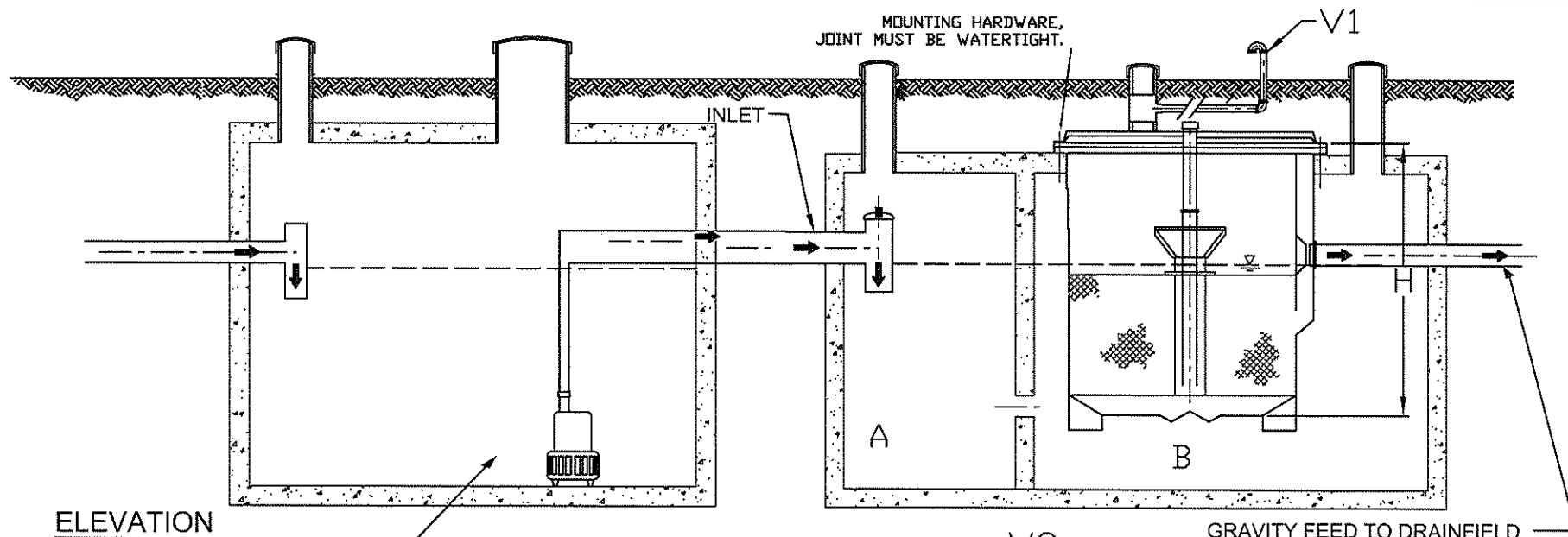
BIO-MICROBICS
INCORPORATED

© Bio-Microbics, Inc. 2008

THE DESIGN AND DETAIL OF THIS SYSTEM IS THE PROPERTY OF BIO-MICROBICS, INC. AND IS NOT TO BE REPRODUCED OR TRANSMITTED IN ANY FORM OR BY ANY MEANS, ELECTRONIC OR MECHANICAL, INCLUDING PHOTOCOPYING, RECORDING, OR BY ANY INFORMATION STORAGE AND RETRIEVAL SYSTEM, WITHOUT PERMISSION IN WRITING FROM BIO-MICROBICS, INC. ALL RIGHTS ARE RESERVED.

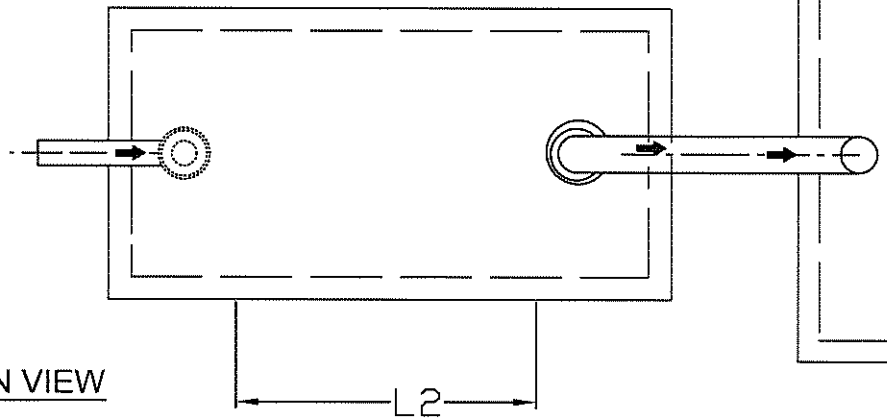
OREGON
FAST® SYSTEM

Drawn by BMI

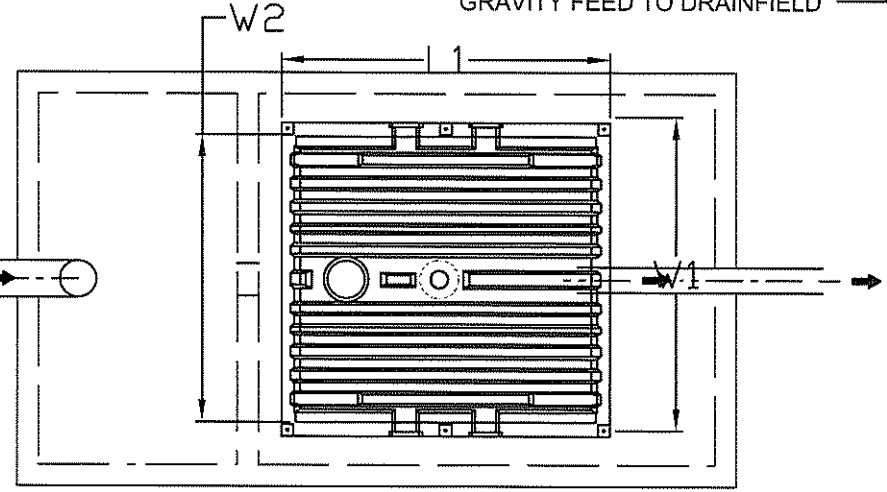


ELEVATION

DOSING SEPTIC TANK
VOLUME APPROVED FOR
USE IN OREGON



PLAN VIEW



NOTES

1. SECURE ORIGINAL 7" X 7" FOOT TO LEG EXTENSION BY PLACING TWO (2) SCREWS IN EACH SIDE OF THE LEG EXTENSION. EIGHT (8) SCREWS PER FOOT ARE INCLUDED AND SHOULD BE USED ON EACH OF THE FOUR (4) CORNER LEG EXTENSIONS.
2. ANCHOR THE LEG EXTENSIONS (4 CORNER LEGS ONLY) TO THE BASE OF THE TANK. PLACE BOLTS AT OPPOSITE CORNERS OF THE LEG EXTENSION BASE.
3. TO ELONGATE FOOT PAST THE PROVIDED 12", CUT THE 3.9" LEG EXTENSION IN THE CENTER INTO TWO SEPARATE PIECES. THEN CUT A SCH 40 PVC PIPE TO THE DESIRED LENGTH AND SLIP THE PIPE OVER THE TOP AND BOTTOM CUT SECTIONS OF THE LEG EXTENSIONS.
4. ATTACH PIPES WITH STAINLESS STEEL SCREWS.
5. THE AIR SUPPLY LINE INTO THE FAST® UNIT MUST BE SECURED SO AS TO PREVENT DAMAGE FROM PIPE VIBRATION.
6. SEE TABLE ON PAGE 5,7,5,9,15 FAST UNITS DIM CHART OREGON

IN THE INTEREST OF TECHNOLOGICAL PROGRESS, ALL PRODUCTS ARE SUBJECT TO DESIGN AND/OR MATERIAL CHANGE WITHOUT NOTICE.

Date 04-23-08

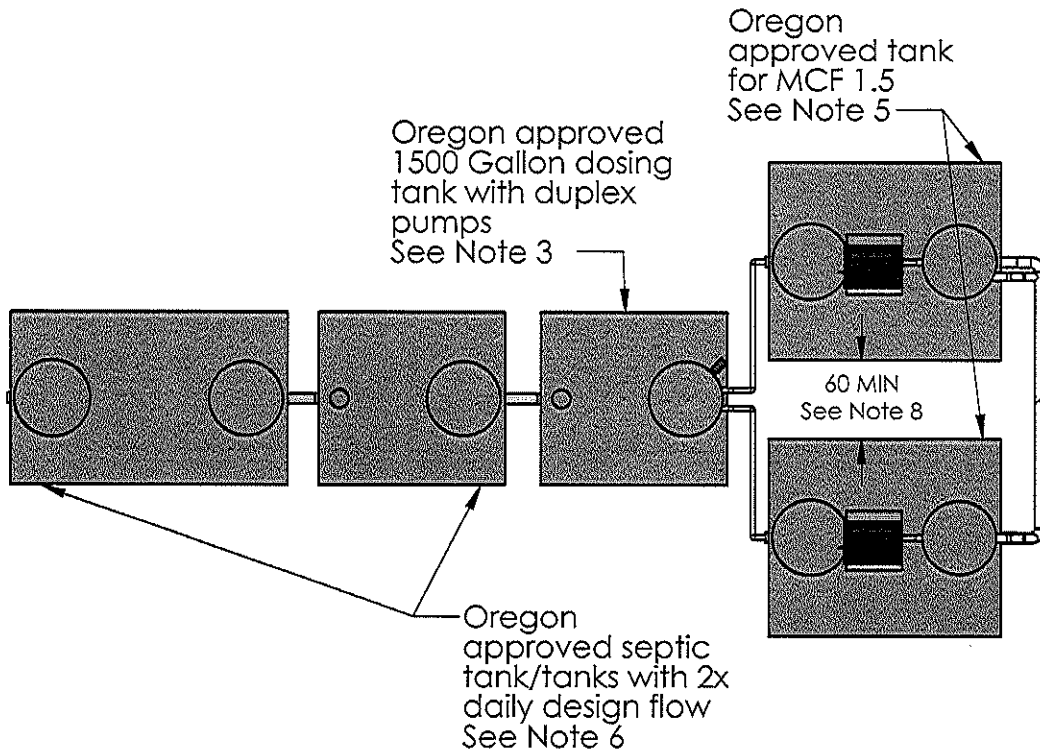
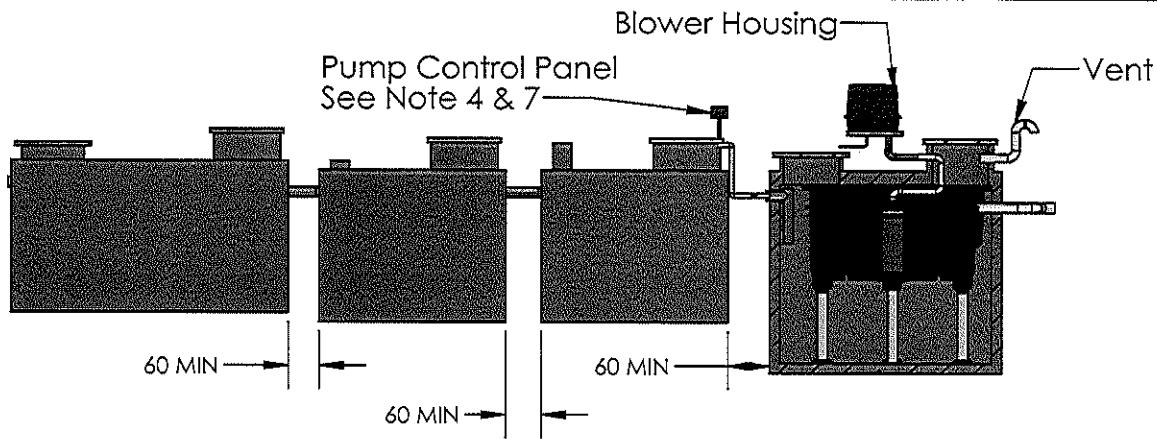
BIO-MICROBICS
INCORPORATED

© Bio-Microbics, Inc. 2008

OREGON
FAST® SYSTEM

THE DESIGN AND DETAIL OF THIS DRAWING IS THE PROPERTY OF BIO-MICROBICS, INC. AND IS NOT TO BE USED EXCEPT IN CONNECTION WITH OUR SPECIFIC DESIGN AND MANUFACTURE RIGHTS ARE RESERVED.

Drawn by BMI



Notes:

1. All exterior pipe size as per Oregon requirements.
2. All connections shall be sealed and water tight.
3. The pumping system must be properly vented.
4. All electrical connections shall meet local codes.
5. Reference "Short-FAST-Module-Procedure" and Oregon Approved MicroFAST® drawings for additional information.
6. Total septic tankage shall be 2 X daily design flow. If multiple tanks are needed they can be either hooked in parallel and/or in series. If connected in series, the largest tank shall receive sewage first.
7. Blower panel and duplex pump panel shall be electrically connected per OAR 340-071-0345 (6)
8. Min Distance of 60 inches is required between FAST® tanks. Max distance is a function of proper pump sizing.



Gravity to Dispersal Field

DO NOT SCALE
UNLESS NOTED
DIMENSIONS
ARE IN INCHES
[CENTIMETERS]
TOLERANCES
± 0.02 IN/IN
[± 0.05 CM/CM]

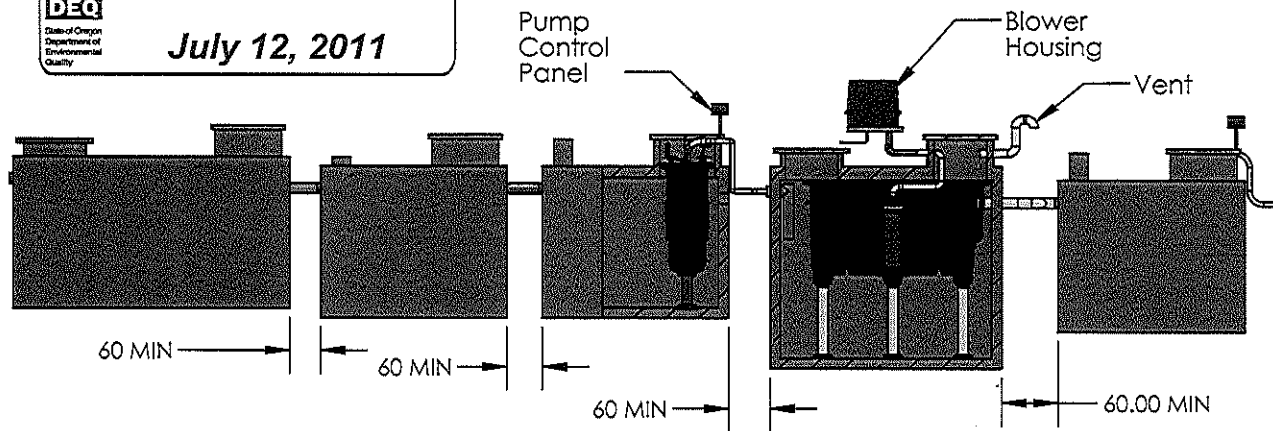


Dual 1.5 MCF

THE INFORMATION CONTAINED IN THIS DRAWING IS THE SOLE PROPERTY OF BIO-MICROBICS INC. ANY REPRODUCTION IN PART OR AS A WHOLE WITHOUT THE WRITTEN PERMISSION OF BIO-MICROBICS INC. IS PROHIBITED. DESIGN AND INVENTION RIGHTS ARE RESERVED. IN THE INTEREST OF TECHNOLOGICAL ADVANCEMENT, ALL PRODUCTS ARE SUBJECT TO DESIGN AND OR MATERIAL CHANGE WITHOUT NOTICE. BIO-MICROBICS © 2011

WEIGHT	lb	SIZE	DRAWING NUMBER	SHEET 1 OF 1
NAME	DATE	A	Dosing Septic	
DRAWN CTC	8/11/2009	CHECKED AB	7/6/2011	
REVISED 7/6/2011			REV. INI-01-Z	

APPROVED
 DEQ
 State of Oregon
 Department of
 Environmental
 Quality
July 12, 2011

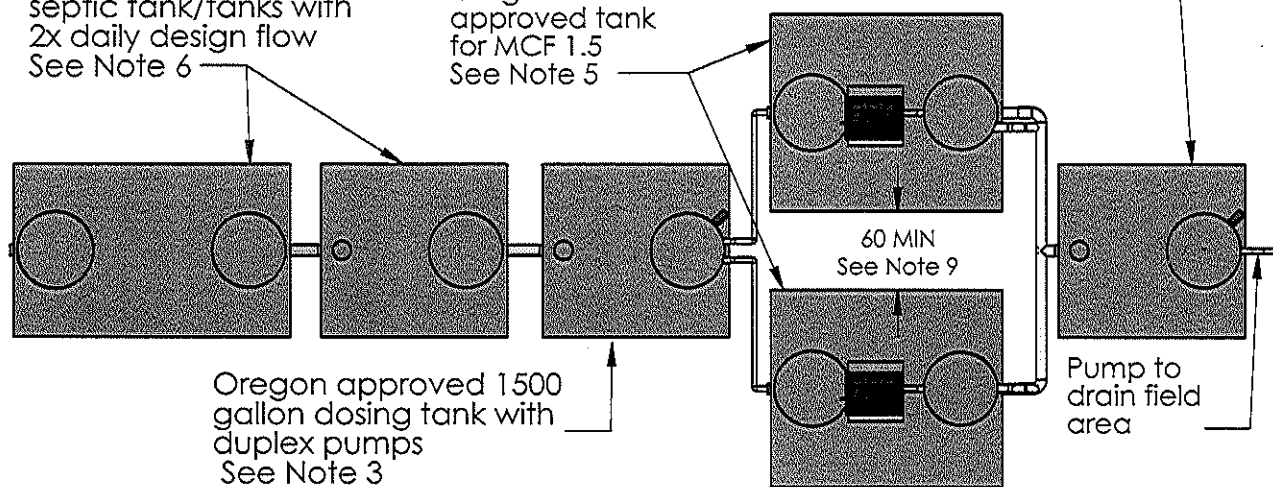


- Notes:
1. All exterior pipe size as per Oregon requirements.
 2. All connections shall be sealed and water tight.
 3. The pumping system must be properly vented.
 4. All electrical connections shall meet local codes.
 5. Reference "Short-FAST-Module-Procedure" and Oregon Approved MicroFAST® drawings for additional information.
 6. Total septic tankage shall be 2 X daily design flow. If multiple tanks are needed they can be either hooked in parallel and/or in series. If connected in series, the largest tank shall receive sewage first.
 7. Blower panel and duplex pump panel shall be electrically connected per OAR 340-071-0345 (6)
 8. Duplex pumps are required. Telemetry is required in 1000 gallon dosing tank. Telemetry not required if dosing tank is 1500 gallons or larger.
 9. Min distance of 60 inches is required between FAST® tanks. Max distance is a function of Proper pump sizing.

Oregon approved 1000 gallon dosing tank with duplex pumps and telemetry See Note 3 & 8

Oregon approved septic tank/tanks with 2x daily design flow See Note 6

Oregon approved tank for MCF 1.5 See Note 5



DO NOT SCALE
 UNLESS NOTED
 DIMENSIONS
 ARE IN INCHES
 [CENTIMETERS]
 TOLERANCES
 ± 0.02 IN/IN
 [± 0.05 CM/CM]



Dual 1.5 MCF

THE INFORMATION CONTAINED IN THIS DRAWING IS THE SOLE PROPERTY OF BIO-MICROBICS INC. ANY REPRODUCTION IN PART OR AS A WHOLE WITHOUT THE WRITTEN PERMISSION OF BIO-MICROBICS INC. IS PROHIBITED. DESIGN AND INVENTION RIGHTS ARE RESERVED. IN THE INTEREST OF TECHNOLOGICAL ADVANCEMENT, ALL PRODUCTS ARE SUBJECT TO DESIGN AND OR MATERIAL CHANGE WITHOUT NOTICE. BIO-MICROBICS © 2011

WEIGHT	lb	SIZE	DRAWING NUMBER	SHEET 2 OF 2
NAME	DATE	A	Distribution Tank	
DRAWN	CTC 8/11/2009			
CHECKED	AB 7/6/2011		REVISED 7/6/2011 REV. INI-01-Z	